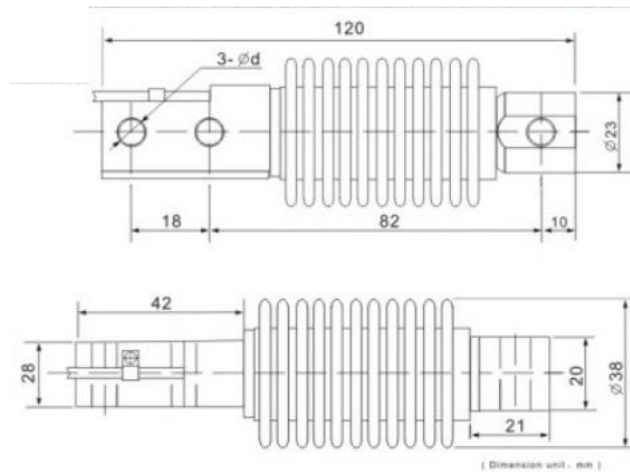


Model **KP 919**

BELLOW LOADCELL



SPECIFICATION

RATED LOAD (KG) 10, 20, 30, 50, 100, 200, 300, 500			
Precision	C2/C3	Output Impedance(Ω)	350 ± 5
Composition Error	0.03/0.02	Insulation (M Ω)	≥ 20000
Rated Output(mv/v)	2.0 ± 0.001	Excitation Voltage(V)	5~15(DC)
Non-Linearity (%FS)	0.025	Compensated Temp.($^{\circ}$ C)	-10~+50
Hysteresis (%FS)	0.02	Use Temp. ($^{\circ}$ C)	-20~+60
Repeatability (%FS)	0.02/0.01	Temp. Effect on Span(%FS)	0.02
Creep (%FS)	0.03/0.02	Temp. Effect on Zero(%FS)	0.02
Zero Balance (%FS)	± 1.0	Safe Overload(%FS)	120
Input Impedance(Ω)	400 ± 10	Ultimate Overload(%FS)	150

www.kpautomationcontrol.com



KP **AUTOMATION & CONTROL**